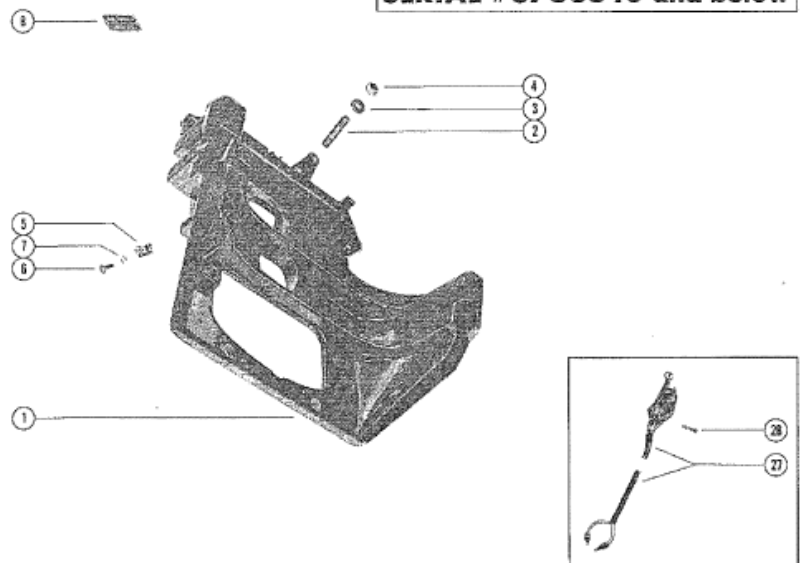


SERIAL #3780849 and below



Parts List						
Ref	Class	Part	Description	Qty	Comment	Footnote
1		49701A 2	PLATE ASSEMBLY,TRANSOM	1		
2	16	63081	STUD, SHIFT CABLE TO TRAN	1		
3	12	39143	WASHER,SHIFT CABLE STUD	1		
4	11	20361	NUT,SHIFT CABLE STUD	1		
5	54	23568	CLIP,SWITCH LEADS TO TRANSI	2		
6	10	35519	SCREW,SWITCH LEADS CLIP TO	1		
6	10	21643	SCREW,SWITCH LEADS CLIP TO	1		
7		22789	"D" WASHER,SWITCH LEADS CL	2		
8	37	39395	DECAL,SERIAL NUMBER	1		
9		49702A 2	LEVER ASSEMBLY,SHIFT CONTF	1	SERIAL 00000000-03443920	
10	16	47360	STUD,SHIFT CABLE TO LEVER	1	SERIAL 00000000-03443920	
11	23	31866	SPACER,SHIFT CABLE STUD	1	SERIAL 00000000-03443920	
12	12	39143	WASHER,SHIFT CABLE STUD	2	SERIAL 00000000-03443920	
13	11	20361	NUT,SHIFT CABLE STUD	1	SERIAL 00000000-03443920	
14	16	34069	STUD,CABLE TO SHIFT CONTRO	1	SERIAL 00000000-03443920	
15	12	39143	WASHER,CABLE STUD	3	SERIAL 00000000-03443920	
16	11	20361	NUT,CABLE TO SHIFT CONTROL	2	SERIAL 00000000-03443920	
9		63333A 2	LEVER ASSEMBLY,SHIFT CONTF	1	SERIAL 03469428-03780849	
10	16	47360	STUD,SHIFT CABLE TO LEVER	1	SERIAL 03469428-03780849	
11	23	31866	SPACER,SHIFT CABLE STUD	1	SERIAL 03469428-03780849	
12	12	39143	WASHER,SHIFT CABLE STUD	3	SERIAL 03469428-03780849	
13	11	20361	NUT,SHIFT CABLE STUD	2	SERIAL 03469428-03780849	
14	16	63335	STUD,CABLE TO SHIFT CONTF	1	SERIAL 03469428-03780849	
16	11	63341	NUT,CABLE TO SHIFT CONTRC	1	SERIAL 03469428-03780849	
17		45517A 2	ARM ASSEMBLY,SWITCH ACTUA	1		
18	23	45600	SLEEVE,SWITCH ACTUATING A	1		
19	24	45599	SPRING,TENSION-SWITCH AC	1		
20	10	33231	SCREW,TENSION SPRING TO	1		
21	12	26825	WASHER,TENSION SPRING SC	1		
22	18	32857	COTTER PIN,SHIFT ACTUATINI	1		
23	16	56299	STUD,SWITCH ACTUATING ARM	1		
24	23	37981	SPACER,SWITCH ACTUATING AI	1		
25	12	26825	WASHER,SWITCH ACTUATING A	2		
26	11	35814	NUT,SWITCH ACTUATING ARM	1		
27		49646A 1	SWITCH ASSEMBLY,CUT-OUT-TF	1		
28	10	30902	SCREW,SWITCH ASSEMBLY TO	2		